

MODEL 41-90

SPECIFICATIONS

Model 41-90 is a four (4) tube battery operated super-heterodyne radio covering a tuning frequency range from 540 to 1720 K. C. Included in this model are Philco low current drain tubes; automatic volume control; pentode audio output stage; permanent magnet speaker and an ON-OFF battery indicator.

INTERMEDIATE FREQUENCY: 455 K. C.

PHILCO TUBES USED: One, 1A7G, converter; one, 1N5G I. F. amplifier; one, 1H5G, 2nd detector 1st audio; one 1A5G, audio output.

PHILCO BATTERIES REQUIRED: One "A"—"B" pack type P-60B-6L.

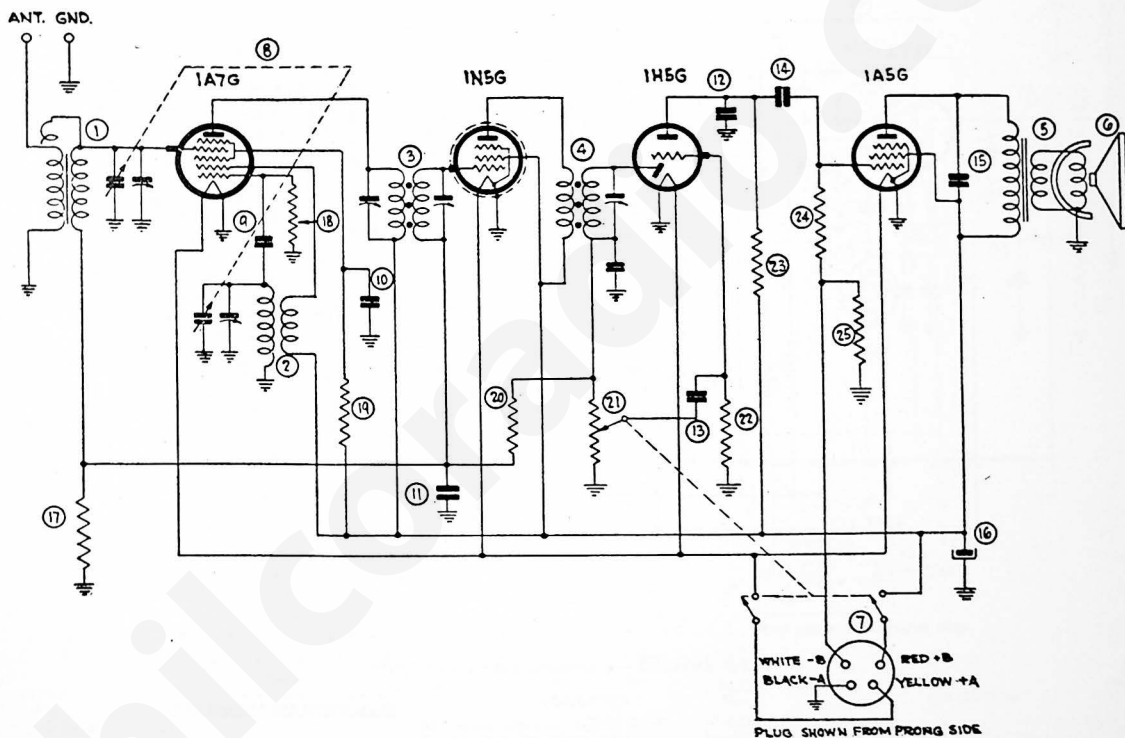
BATTERY CURRENT DRAIN: "A" 200 MA; B. 7.2 MA.

CABINET DIMENSIONS: Height 10 1/4 Width 13 3/8 Depth 6 3/8

AERIAL GROUND: To obtain maximum operating performance from this model, the Philco Farm Radio Aerial, Part No. 40-6383 is recommended in addition to a good ground connection.

ALIGNING R. F. AND I. F. COMPENSATORS

The procedure for aligning the R. F. and I. F. compensators will be found on page 48.



Replacement Parts — Model 41-90

SCHEM. No.	DESCRIPTION	PART No.	SCHEM. No.	DESCRIPTION	PART No.	SCHEM. No.	DESCRIPTION	PART No.
1	Antenna Transformer	32-3490	16	Electrolytic Condenser (10 mf., 150 V.)	30-2396		Dial	27-5590
2	Oscillator Transformer	32-3491	17	Resistor (4.7 meg., 1/4 watt)	33-547154		Pointer (Dial)	56-1856
3	First I. F. Transformer	32-3492	18	Resistor (220,000 ohms, 1/4 watt)	33-422154		Mtg. Straps	56-1752
4	Second I. F. Transformer	32-3199	19	Resistor (68,000 ohms, 1/4 watt)	33-368134		Mtg. Screws	W-2062
5	Output Transformer	32-8100	20	Resistor (10 meg., 1/4 watt)	33-610154		Drive Drum (Tuning Cond.)	76-1176
6	Speaker	36-1507	21	Volume Control and "On-Off" Switch	33-5407		Drive Cord (Indicator)	31-2504
7	Battery Cable	41-3505	22	Resistor (4.7 meg., 1/4 watt)	33-547154		Spring	28-8945
8	Tuning Condenser	31-2485	23	Resistor (1.0 meg., 1/4 watt)	33-510154		Drive Cord (Pointer)	31-2511
9	Moulded Mica Condenser (100 mmf.)	60-110157	24	Resistor (2.2 meg., 1/4 watt)	33-522154		Drive Cord (Tuning Cond.)	31-2512
10	Tubular Condenser (.05 mf., 200 V.)	30-4519	25	Resistor (100 ohms, 1/2 watt)	33-210336		Spring	28-8913
11	Tubular Condenser (.05 mf., 200 V.)	30-4519					Indicator (ON-OFF)	76-1050
12	Moulded Mica Condenser (100 mmf.)	60-110157					Cam	38-9861
13	Tubular Condenser (.004 mf., 400 V.)	30-4578					Transfer Lever	76-1049
14	Tubular Condenser (.01 mf., 400 V.)	30-4572					Knob	27-4332
15	Moulded Mica Condenser (500 mmf.)	60-150157					Socket (Tubes)	27-6133
							Shield (Tubes)	56-1566
							Shield Clip (Tubes)	56-1567
							Tuning Shaft	31-2484